

VY000005

IO-Link
Master



/ USB IO-Link master

/ supported communication protocols: IO-Link, COM 1 (4.8kBit/s), COM 2 (38.4kBit/s), COM 3 (230kBit/s)

/ For the operation with „VY000005_Software“ (Port and Device Configuration Tool)

parameterization of devices and monitoring of process data

TECHNICAL DATA

Electrical data:

output voltage in USB mode	24V DC \pm 10%
output voltage (mains operation)	24V DC \pm 6V (max. input voltage)
output current in USB mode	\leq 80mA
output current (mains operation)	\leq 2.5A
input voltage USB	5V DC
input current in USB mode	\leq 600mA
input voltage external supply	24V DC \pm 6V (EN 60950)
input current external supply	\leq 2.5A

Outputs:

short-circuit protection	+
--------------------------	---

Interfaces:

IO-Link master transmission type	COM 1 / COM 2 / COM 3
IO-Link revision	V1.0 und V1.1
number of ports	1
portclass	M12 / Typ A / female

Environmental conditions:

ambient temperature	0 ... 55°C
degree of protection (EN 60529)	IP 20

Approvals /testings:

EMV Directive 2014/30/EU	DIN EN 61000-6-2 DIN EN 61000-6-3
RoHs Directive 2011/65/EU	fulfilled

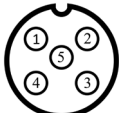

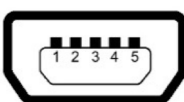
Mechanical data:

weight (net)	0.066kg
material (housing)	aluminum, natural color anodized

Display / diagnosis:

- Operating status: LED green, constantly lighting:
 VY000005 ready to use, no IO-Link communication
- LED green, blinking (900ms on and 100ms off):
 VY000005 ready to use, active IO-Link communication
- LED red, constantly lighting (LED green off):
 Device defect, please send to manufacturer

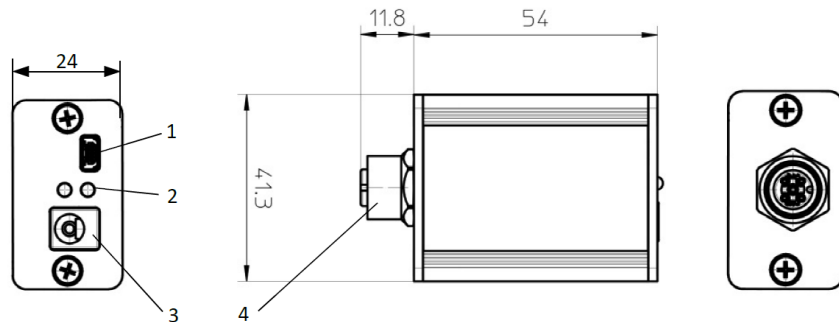
Connection

M12-socket	connector 24V	USB
1: +24V 2: not assigned 3: GND 4: IO-Link: CH1 (C/Q) 5: not assigned 		 1: +5V 2: D- 3: D+ 4: not assigned 5: GND

Note: For the parameterization of a sensor up to 80mA current consumption, no power supply unit is needed. Connection via the USB cable to the PC suffices.

Control elements / dimensional drawing:

- 1: Mini USB
- 2: LED operational state / Error display
- 3: 24V DC, Ø5.5 / 2.1mm
- 4: M12 type A, female



SICHERHEITSHINWEISE:

Before initial operation, please make sure to follow all safety instructions that may be provided in the product information!

Never use these articles in applications where the safety of a person depends on their functionality.

Recycling advice:

After its use, this product must be disposed of as electronic waste for separate disposal in accordance with the current disposal regulations of your county, country and state.