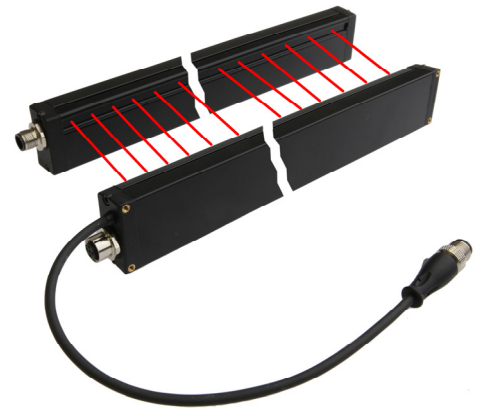


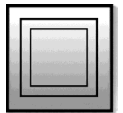
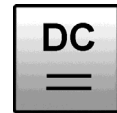
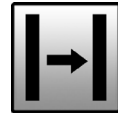
## OY41002x

Optical sensors  
Light curtains

- / aluminum housing
- / infrared light
- / degree of protection IP65
- / M12-connection



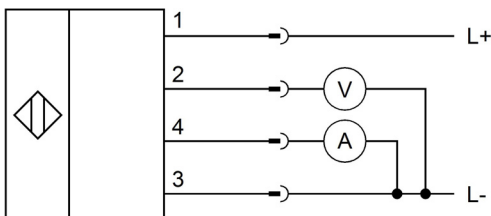
Field heights of 232 to 1418mm



### TECHNICAL DATA

range	300 ... 4000mm
operating voltage $U_B$	24V DC $\pm$ 10%
current consumption (w/o load)	$\leq$ 200mA
analog output	4 ... 20mA / 0 ...10V
short-circuit protection	+
reverse polarity protection	+
light source	LED infrared
central beam distance	see article list
smallest, constantly detectable object (edge area)	see article list
smallest, constantly detectable object (middle area)	see article list
material (housing)	aluminum
material (front screen)	plastic PMMA
degree of protection (EN 60529)	IP65
temperature (operating)	-5 ... +50°C
connection	M12-connector, 4-pin
connection accessories	e.g. <b>VK200325</b>
connection cable transmitter-receiver	e.g. <b>VK500F25</b>
mounting accessories	<b>AO000550</b>

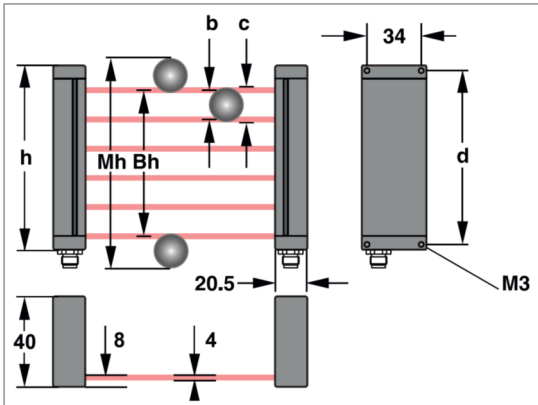
### Connection



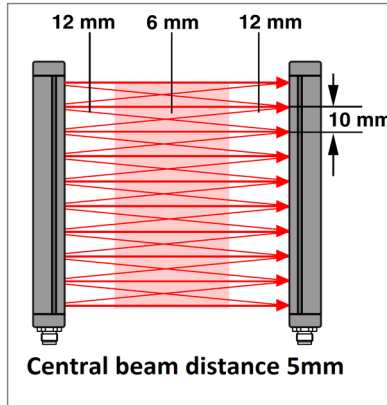
**Colors:** 1 = BN (brown), 2 = WH (white), 4 = BK (black), 3 = BU (blue)

**Functions:** 1 = L+, 2 = 0-10V, 4 = 4-20mA, 3 = L-

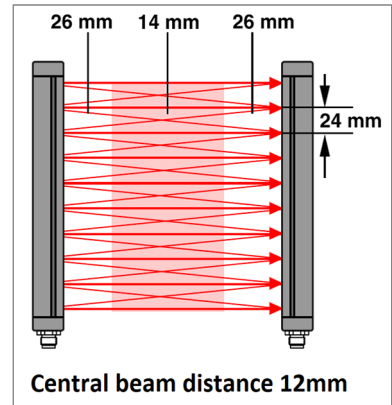
**Dimensional drawing**



**Resolution (OY410020/21/22)**



**Resolution (OY410023/24/25)**



**Article list**

Article no.	h Height	Bh Field height	d Mounting dimension	b Central beam distance	c Smallest, constantly detectable object (middle / edge area)	Response time
OY410020	260mm	232mm	252mm	5mm	6 / 12mm	4ms
OY410021	500mm	472mm	492mm	5mm	6 / 12mm	7ms
OY410022	980mm	952mm	972mm	5mm	6 / 12mm	14ms
OY410023	500mm	458mm	492mm	12mm	14 / 26mm	3ms
OY410024	980mm	938mm	972mm	12mm	14 / 26mm	6ms
OY410025	1460mm	1418mm	1452mm	12mm	14 / 26mm	9ms

**SAFETY WARNINGS:**

Before initial operation, please make sure to follow all safety instructions that may be provided in the product information!

Never use these articles in applications where the safety of a person depends on their functionality.