

design 14.8 x 43 x 31mm
dif. refl. sensor measuring range 50 ... 400mm

- ✓ robust plastic housing
- ✓ compact design
- ✓ high resolution
- ✓ visible red light

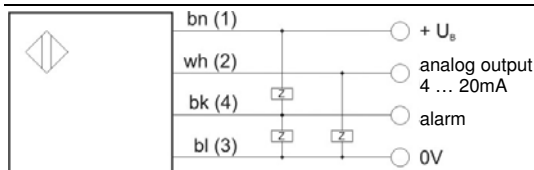


measuring range 50 ... 400mm
additional alarm output

technical data

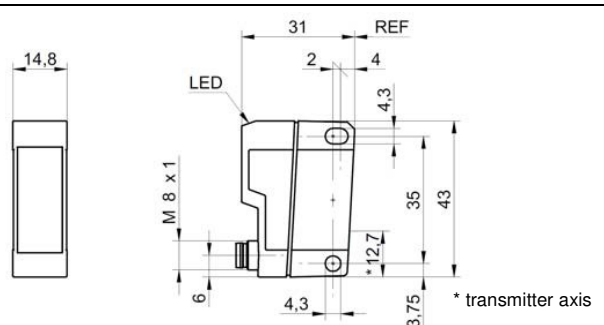
measuring range	50 ... 400mm
transmitting element	LED with point shaped light beam, pulsed, red light, 660nm
light spot diameter	8mm
sensing element	photo diode array
resolution	0.1 ... 1mm
linearity deviation	±0.6 ... ±3mm
operating voltage U_B	12 ... 26V DC
current consumption (w/o load)	≤ 80mA
analog output	4 ... 20mA
response / decay time	< 3msec
max burden	< $(+U_B - 10V) / 0.02A$
alarm output	push-pull, max. 100mA
short-circuit protection	+
reverse polarity protection	+ (U_B to GND)
ambient temperature	0 ... +50 °C
temperature drift	< 0.1% from measurement range accumulated value per K
housing material	plastic (ASA, MABS)
front screen material	PMMA
system of protection (EN 60529)	IP67
connection	M8-connector, 4-pin
connection accessories	e.g. VK200375
mounting accessories	e.g. AY000095

wiring diagram



bn= brown, wh = white, bk = black, bl = blue
terminal markings of the cable socket in brackets

dimensional drawing



article-no.: **OT430070**

Warning: Never use these devices in applications where the safety of a person depends on their functionality!