

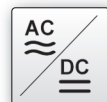
dimensions 96 x 48 x 141mm

analog / digital



- ✓ analog inputs $\pm 10V$ DC, 0/4 to 20mA
- ✓ separate configuration for both inputs
- ✓ different operational modes (A+B, A-B, A·B, A:B, Single, Dual)
- ✓ 6 digit LED display, 15mm high
- ✓ freely scalable display and zero offset
- ✓ adjustable averaging
- ✓ optocoupler switching outputs
- ✓ screw terminals

**digital or analog outputs
2 limit value specifications**



description

Programmable measuring transducers are used to process analog signals. You can adjust the devices to your special requirements by means of relevant programming.

Two analog inputs, scalable display, programmable measuring functions and different individually adjustable outputs are available.

For many applications, two independent inputs are needed that can be processed and displayed individually or in combination.

It is also repeatedly necessary to evaluate non-linear analog signals with sufficient accuracy and display them, which

requires a programmable linearization function. The devices of model series **BA05** fulfill all these requirements.

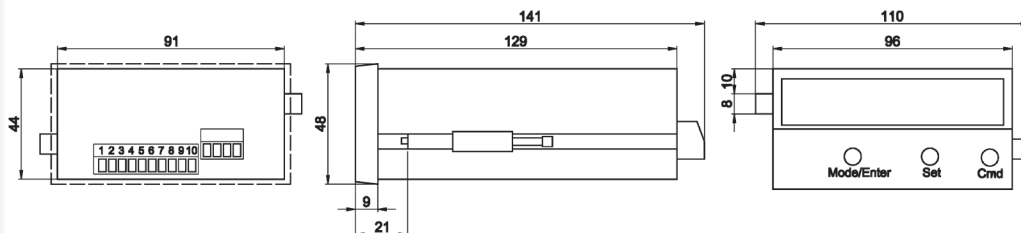
The **BA054905** also has a scalable analog output, and the **BA054900** has 2 limit value specifications with switching outputs.

All other device functions within this family are essentially identical.

application examples

- ▶ Difference measurement
- ▶ Two-step controls

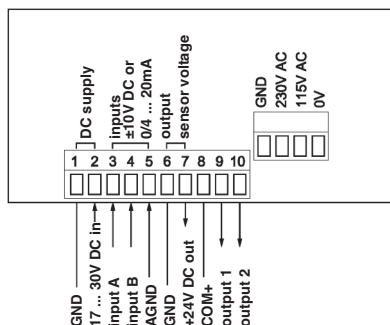
article-no.	BA054900	BA054905
output signal	2x PNP, max. 30V / 150mA	0/4 ... 20mA / ±10V DC



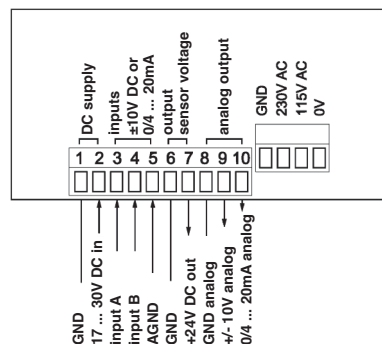
TECHNICAL DATA

output signal	2 x PNP, max. 30V DC	0/4 ... 20mA / ±10V DC
operating voltage	115 / 230V AC; 18 to 30V DC	115 / 230V AC; 18 to 30V DC
power consumption (without load)	AC: 7.5VA / 18V DC: 110mA, 24V DC: 90mA	AC: 7.5VA / 18V DC: 110mA, 24V DC: 90mA
output current (max. load)	150mA	-
transducer power supply	24V DC ±15%, 100mA (AC and DC)	24V DC ±15%, 100mA (AC and DC)
input	2x analog (0 ... ±10V DC, 0/4 ... 20mA)	2x analog (0 ... ±10V DC, 0/4 ... 20mA)
input resistance	current: Ri=100Ω, voltage: Ri=30kΩ	current: Ri=100Ω, voltage: Ri=30kΩ
accuracy	±0.1%, ±1 Digit	±0.1%, ±1 Digit
resolution	14 bits	14 bits
display	6 decades LED	6 decades LED
short-circuit protection	+	+
reverse polarity protection	+	+
housing material	Noryl UL94	Noryl UL94
dimensions	48x96x141mm	48x96x141mm
operating temperature	0 ... +45°C	0 ... +45°C
degree of protection (EN 60529)	front IP65, rear IP20	front IP65, rear IP20
connection	terminals	terminals

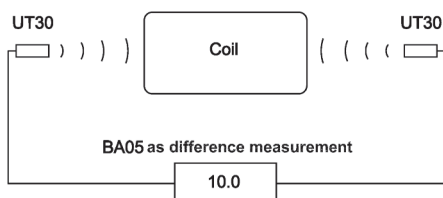
connection BA054900



connection BA054905



application example



This data sheet contains only the available standard versions. Please contact us for other output and connection versions.

Warning: Never use these devices in applications where the safety of a person depends on their functionality.

This data sheet as well as your personal contact can be found at www.ipf-electronic.com