

OR270478

Optical sensors
Retro-reflective sensor



- / IO-Link**
- / plastic housing**
- / reverse polarity protected**
- / low current consumption**

UV-light
detection of transparent objects



TECHNICAL DATA

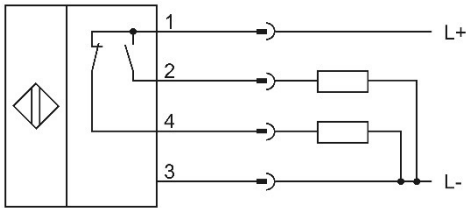
rated operating distance (on reflector AO000548)	0 ... 1000mm
switching distance (max.)	0 ... 1200mm
operating voltage	15 ... 30V DC
residual ripple	≤ 10%
current consumption (w/o load)	≤ 15mA
type of switching output	PNP
type of switching function	antivalent
output current (max. load)	100mA
voltage drop (max. load)	≤ 2V
short-circuit protection	yes
reverse polarity protection	yes
transmitting element	LED, ultraviolet
wave length	275nm
switching frequency	≤ 1kHz
setting	teach-in
adjustment range	40 ... 1200mm
IO-Link	yes
degree of protection	IP67
temperature (operating)	-25 ... +55°C
material (housing)	plastic (ABS)
material (front screen)	plastic (PMMA)
connection	M8-connector, 4-pin
connection accessories	e.g. VK200375
mounting accessories (universal holder)	AY000118
suitable reflector	AO000548

SAFETY WARNING:

Before initial operation, please make sure to follow all safety instructions that may be provided in the product information!

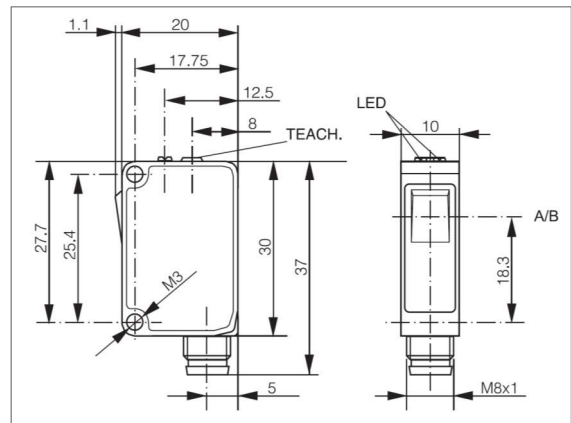
Never use these devices in applications where the safety of a person depends on their functionality.

Connection



colors: 1 = BN (brown), 2 = WH (white), 3 = BU (blue), 4 = BK (black)
functions: 1 = L+, 2 = PNP NO, 3 = L-, 4 = PNP NC

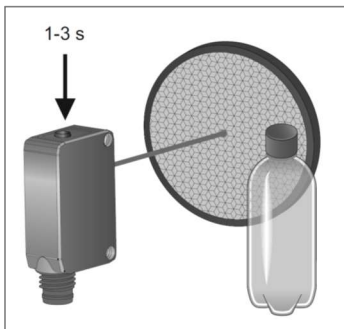
Dimensional drawing



A: transmitter axis / B: receiver axis

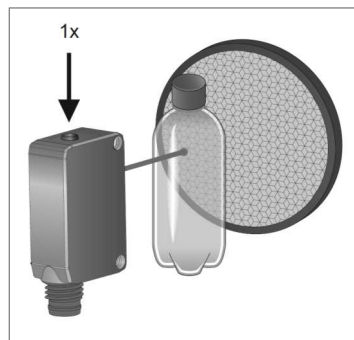
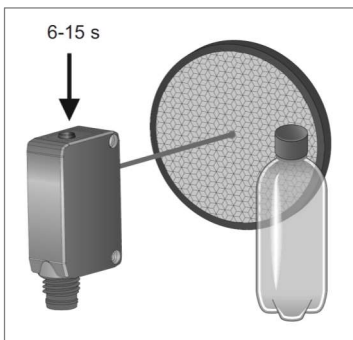
Operating instructions

1-point teach



- press the teach button 1 ... 3s with free view on the reflector
- fast solution
- mostly sufficient for the detection of bottles, thick glass and thick plastic
- not recommended for foil detection
- not recommended in contaminated environments (dirt, water)

2-point teach



- press the teach button 6 ... 15s with free view on the reflector
- position the object to be detected into the beam path
- press the teach button shortly
- best solution for optimal detection
- necessary for foils and objects that are difficult to be detected
- highly recommended in contaminated environments (dirt, water) to minimize the sensor adaptation

UV-LED warnings

Attention: UV radiation!

Risk group 2 acc. to EN 62471.

Safety regulations and standards are to be observed.



UVC LIGHT (GROUP 2)
 Avoid direct eye and skin exposure