

## PE500145

### LASER SENSORS • LINE SENSORS RECEIVERS

sensor laser, Line sensor receiver, 20x75x98mm, Sn: 2m, 22-26V DC, PNP/NPN Push-pull, 0-10V/4-20mA, Connector M9 8pin, IP54, Aluminum Anodised, Laser diode, red light



#### MECHANICAL FEATURES

Ambient temperature	-10 °C ... 50 °C
Degree of protection (IP)	IP54
Design	Cuboid
Field height	48 mm
Housing coating	Anodized
Housing material	Aluminum
Number of configurable switching outputs	2
Reflector included in the scope of delivery	-
Sensor height	20 mm
Sensor length	75 mm
Sensor width	98 mm
Storage temperature	-20 °C ... 85 °C
Version	Line sensor receiver
Volume	Large

#### ELECTRICAL FEATURES

Analog output 0 V ... 10 V	+
Analog output 4 mA ... 20 mA	+
Connection to amplifier	-
Laser power	0.4 mW
Measuring range	2 m
No-load current	200 mA
Number of pins	8
Number of pins of the communication interface	4
Number of pins of the communication interface, transmitter + receiver	4
Operating voltage	21.6 V ... 26.4 V
Rated switching current	100 mA
Rated switching distance	2000 mm
Relative repeat accuracy	16 µm
Residual ripple	10 %
Scanning function	Light-/dark-on mode
Setting procedure	Parameterization
Switching frequency	400 Hz

**ELECTRICAL FEATURES**

Type of analog output	0 V ... 10 V / 4 mA ... 20 mA
Type of communication interface	Connector M5
Type of communication interface, transmitter + receiver	Connector M9
Type of electrical connection	Connector M9
Type of plug-in contact, communication interface	Female (socket)
Type of plug-in contact, communication interface	Female (socket)
Type of switching function	Push-pull
Type of switching output	PNP/NPN
Voltage type	DC
With communication interface, RS-232	+
With time function	-

**OPTICAL FEATURES**

Light source	Laser diode, red light
Wavelength of the sensor	670 nm
Resolution	16 µm
Light beam form	Line
Filter	Interference filter
Line sensor	+

**OTHER FEATURES**

Scope of delivery of the one-way system	Receiver
---	----------

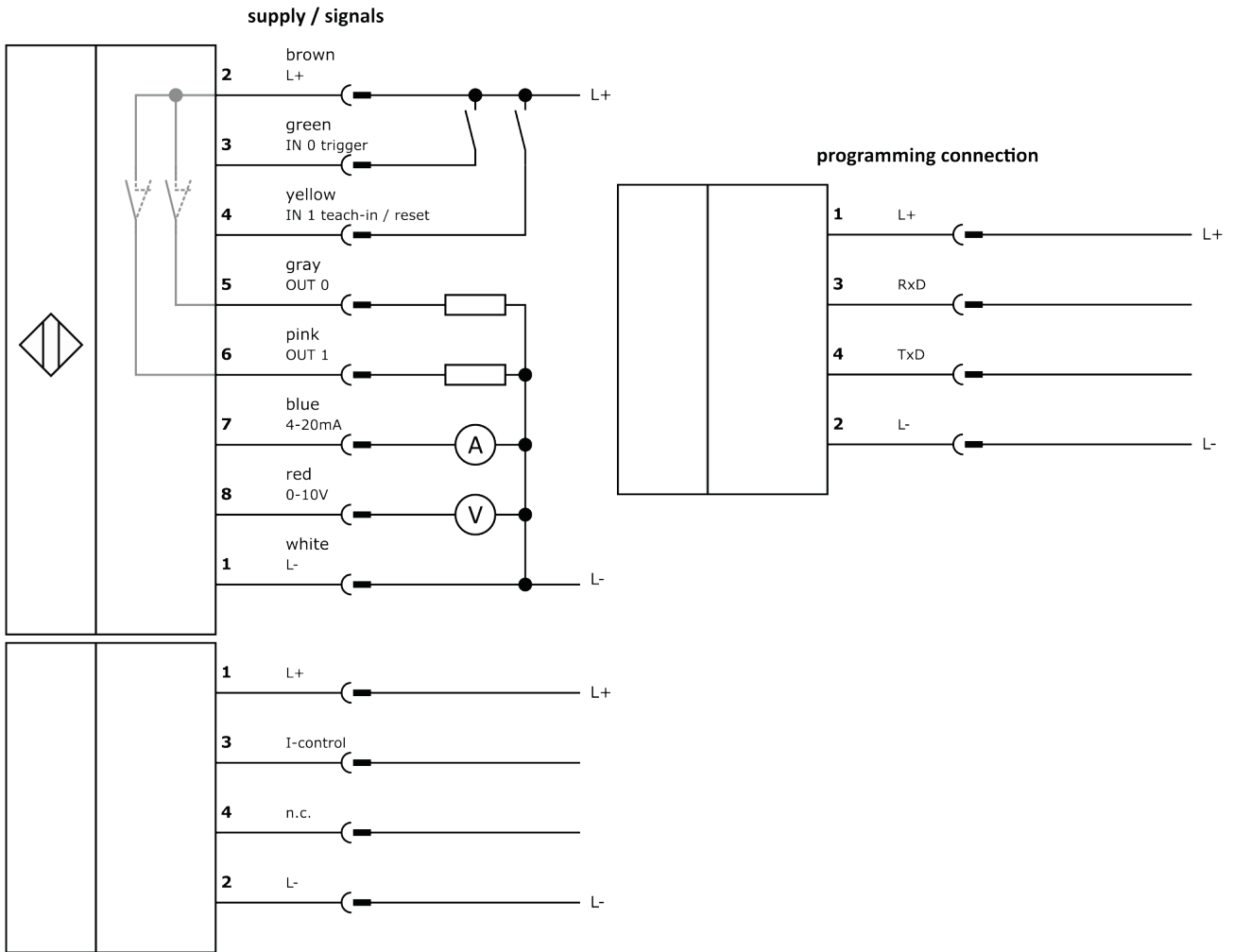
**Other**

Packaging dimensions	99.0mm x 60mm x 160mm
Shipping weight	0.25kg
Tariff code	85365019

**Classification**

ipf product group	165
eClass 8.0	27270901
eClass 9.0	27270901
eClass 9.1	27270901
ETIM-5.0	EC002716
ETIM-6.0	EC002716
ETIM-7.0	EC002716

**Connection**



**Dimensional drawing**

**Installation**



Mounting / installation may only be carried out by a qualified electrician!

**Disposal**



**Software**

Any software, drivers or IODD files that may be required to operate your device can be downloaded free of charge from our homepage: [www.ipf-electronic.com](http://www.ipf-electronic.com)

**Safety warnings**

Before initial operation, please make sure to follow all safety instructions that may be provided in the product information. Never use these devices in applications where the safety of a person depends on their functionality. LED lighting systems can generate intensive UV radiation, which can damage your eyes in case of improper use. The manufacturer cannot be held responsible for damages that result from improper use or connection.