

# OK630180

## Optical sensors • Contrast sensor

sensor optical, contrast, 36x65x65mm, Sn: 1-500, 24V DC, 2x PP, 0-10V/4-20mA, Connector M9, 200kHz, With fiber optics connection, RS232, Programmable via software



Contrast scanners are capable to distinguish the the visual differences (e.g. reflectivity, brightness differences) between adjacent areas. In general, the devices project a light spot on an object's surface and analyze the reflected light. Fiber optic amplifier versions can be used in addition to the incident light mode also in the transmitted light mode. Contrast scanners are versatile. They can be used, among other things, for position control of printing or color marks, distinction of brightness variations or in the intensity control of luminous objects (like LEDs, displays etc.).

### Electrical features

Number of switching outputs	2
Display	LED display
Type of analog output	0 - 10V   4 - 20mA
Type of electrical connection	Connector M9
Type of switching output	Push-pull
Rated switching current	100mA
Setting procedure	Application software
Short-circuit protection	Yes
Switching frequency	200000Hz
Reverse polarity protection	Yes
Supported communication interface	RS232
Operating voltage (DC)	24V
Measuring range	1 - 500mm

### Mechanical features

Design	Cuboid
Width	65mm
Sensor width	65mm
Height	36mm
Storage temperature	-20 - 85°C
Length	65mm
With fiber optics connection	Yes

### Optical features

Light beam form	Point
Transmitted light applications	Yes
Turbidity inspection	Yes

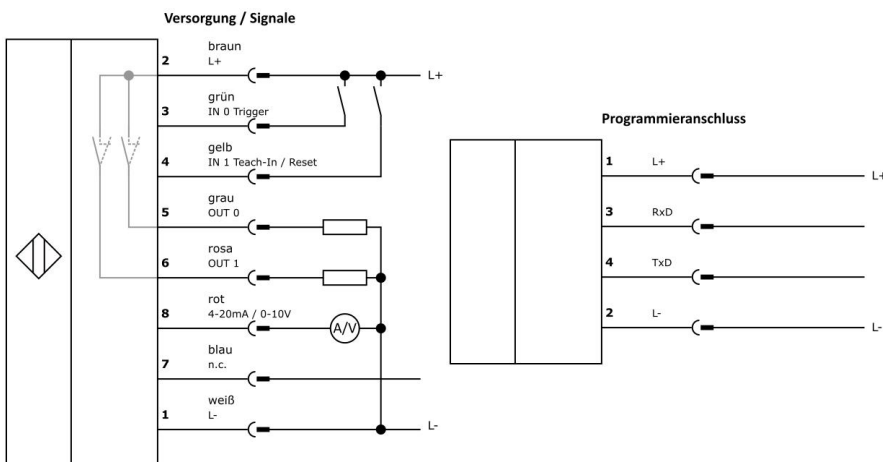
**Classification**

ETIM 8	EC001820 Contrast scanner
eClass 7.0	27270906
eClass 7.1	27270906
eClass 8.0	27270906
eClass 9.0	27270906
eClass 9.1	27270906

**More**

IPF Product Group	108 contrast readers
packaging dimensions	160 x 99 x 60 mm
gross weight	190 g
Customs tariff number	85365019
WEEE number	40951076
POP-compliant	Yes
Reach-compliant	Yes
RoHS-compliant	Yes

**Connection**



**Installation**



Mounting / installation may only be carried out by a qualified electrician!

**Disposal**



**Safety warnings**

Before initial operation, please make sure to follow all safety instructions that may be provided in the product information.

Never use these devices in applications where the safety of a person depends on their functionality.

For suitable connection and mounting accessories, please refer to our website [www.ipf-electronic.com](http://www.ipf-electronic.com).

Any software, drivers or IODD files that may be required to operate your device can be downloaded free of charge from our homepage: [www.ipf-electronic.com](http://www.ipf-electronic.com)